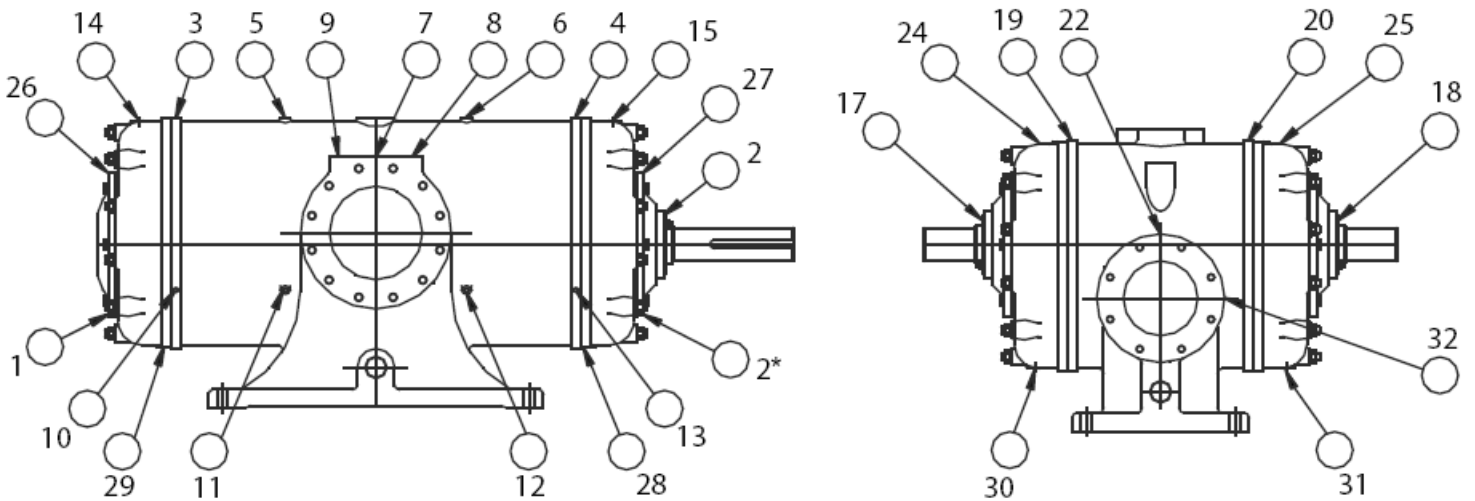


Lubrication System - Data Sheet for Ro-flo/AC Compressors

Company _____ Phone (____) ____ - ____ Fax (____) ____ - ____
 Billing Address _____ City _____ State _____ Zip _____
 Shipping Address _____ City _____ State _____ Zip _____
 Compressor Location _____ Unit # _____
 Compressor Model Number: _____ Max Discharge Pressure: _____
 Discharge Temperature: F _____ C _____ Type of Gas: _____
 Lubricator Box Manufacturer: _____ Model No.: _____
 Is the lube box driven off the compressor shaft (sheave driven)? Yes No
 If the lube box is driven off the compressor shaft, what is the sheave size? Box End _____ Drive End _____
 Oil Pressure Supplied From: _____ Current No-Flo Device: _____
 Divider Block Manufacturer: _____ Are NEW Divider Blocks Required: Yes ___ No ___
 Condition of Gas Compressed: Air Pipeline Quality Sweet Sour Dry Wet CO2 Propane
 Check Valve Size: 1/4" 1/8"

Select each lube injection point in use

INLET SIDE SHOWN



* ON UNITS WITH STUFFING BOX ONLY.

Special Instructions: _____

• Is an Explosion Proof/Electric Motor Driven Skid required as an upgrade replacement? YES _____ NO _____

Name: _____ E-Mail: _____

Office: _____ Cell: _____ Date: _____